



DOORS & WINDOWS  
DESIGN & PRODUCTION



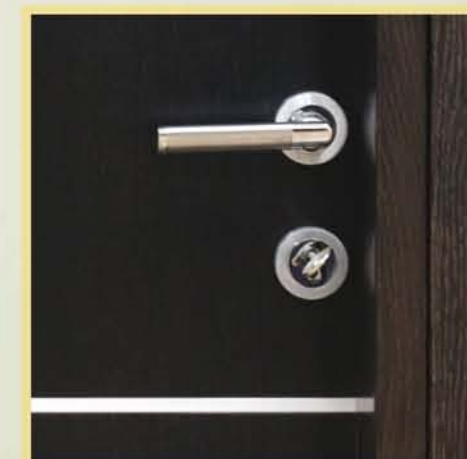


1. VENEERED DOORS.....	2 - 7
2. MDF DOORS.....	8 - 13
3. INTERIOR DOORS.....	14 - 20
4. EXTERIOR DOORS.....	21 - 25
5. SPL FOIL DOORS.....	26 - 27
6. WINDOWS.....	28 - 30

If you need any kind of carpentry, Niprom is your choice. Regardless of size or configuration, our products are prepared individually and are guaranteed quality.

Experience gained for 30 years is talking, that we not only get used with the specifics of our production, but also strive for perfection in every respect.



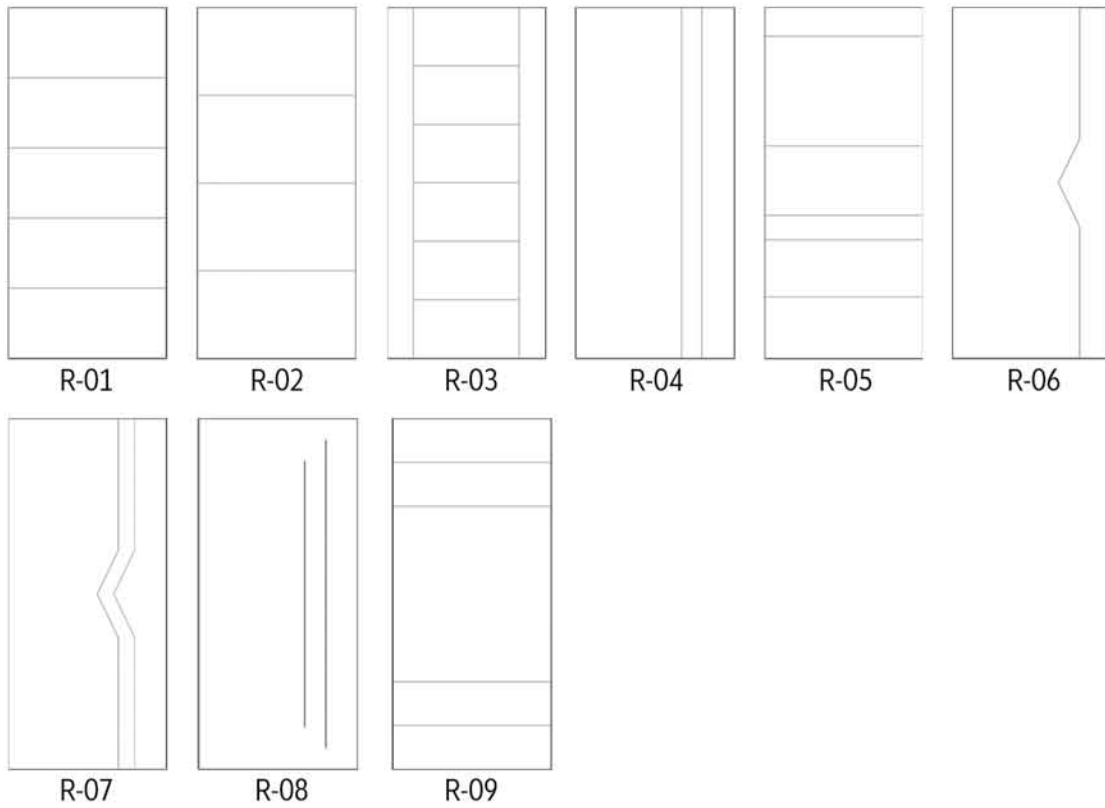


Our outstanding range of premium veneered doors includes all the popular styles of contemporary internal doors. These are robust internal doors manufactured with engineered over veneered components for optimum stability. Pre-glazed doors feature toughened safety glass.





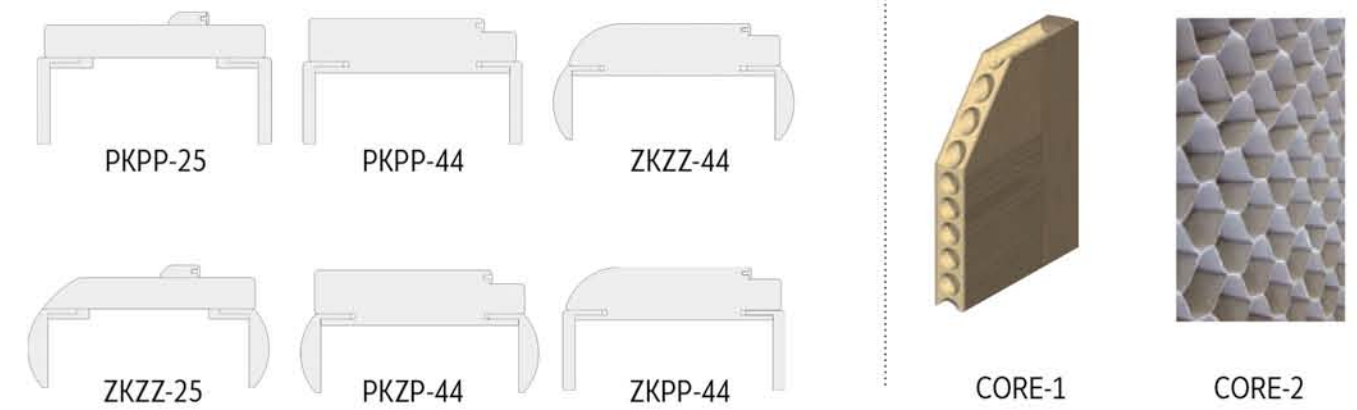
✓ DOOR DESIGN



✓ DOOR DESIGN WITH GLASS HOLES



✓ DOOR FRAMES





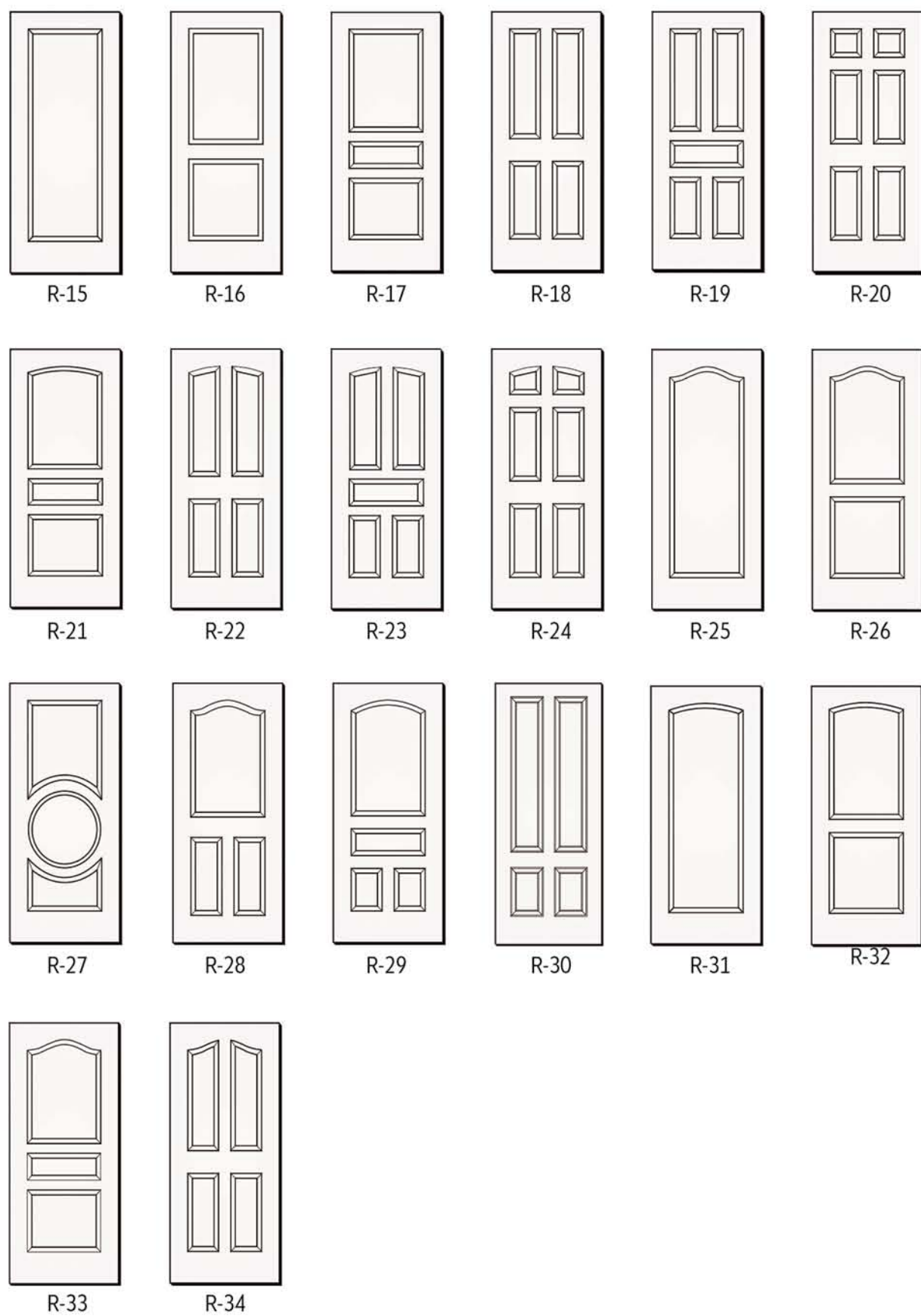


MDF Interior Door Series features the very best of authentic stile and rail craftsmanship with all the advantages of MDF (Medium Density Fiber) materials technology, resisting warping, shrinking and cracking. Each door is constructed like a Wood Panel Door and is primed and ready to be painted.

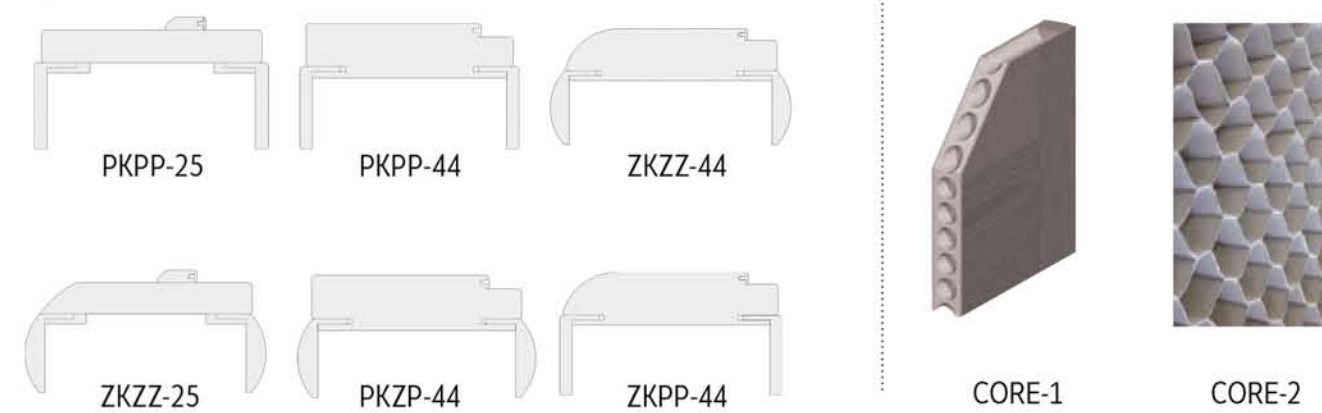




✓ DOOR DESIGN



✓ DOOR FRAMES













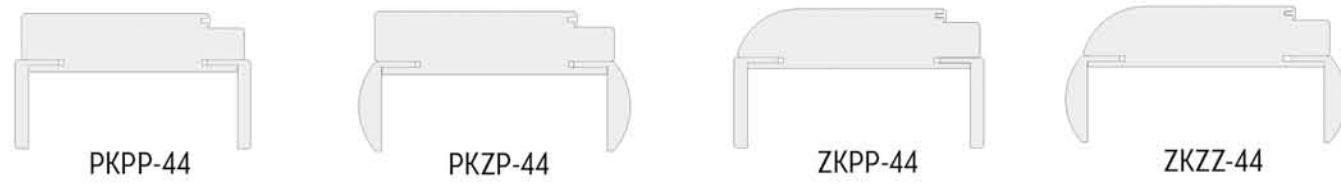




CHOICE OF MATERIALS



DOOR FRAMES







Exterior doors are available with a myriad of glass panel sizes, shapes, textures and decorative patterns to bring in as much light as you desire.







All Panel Exterior Doors are available in wood, fiberglass, steel or composite material. They provide ultimate privacy and increased security.





L-14



L-15



L-16

✓ DOOR FRAMES



PKPP-25



PKPP-44



ZKZZ-44



ZKZZ-25



PKZP-44



ZKPP-44



CORE-1



CORE-2

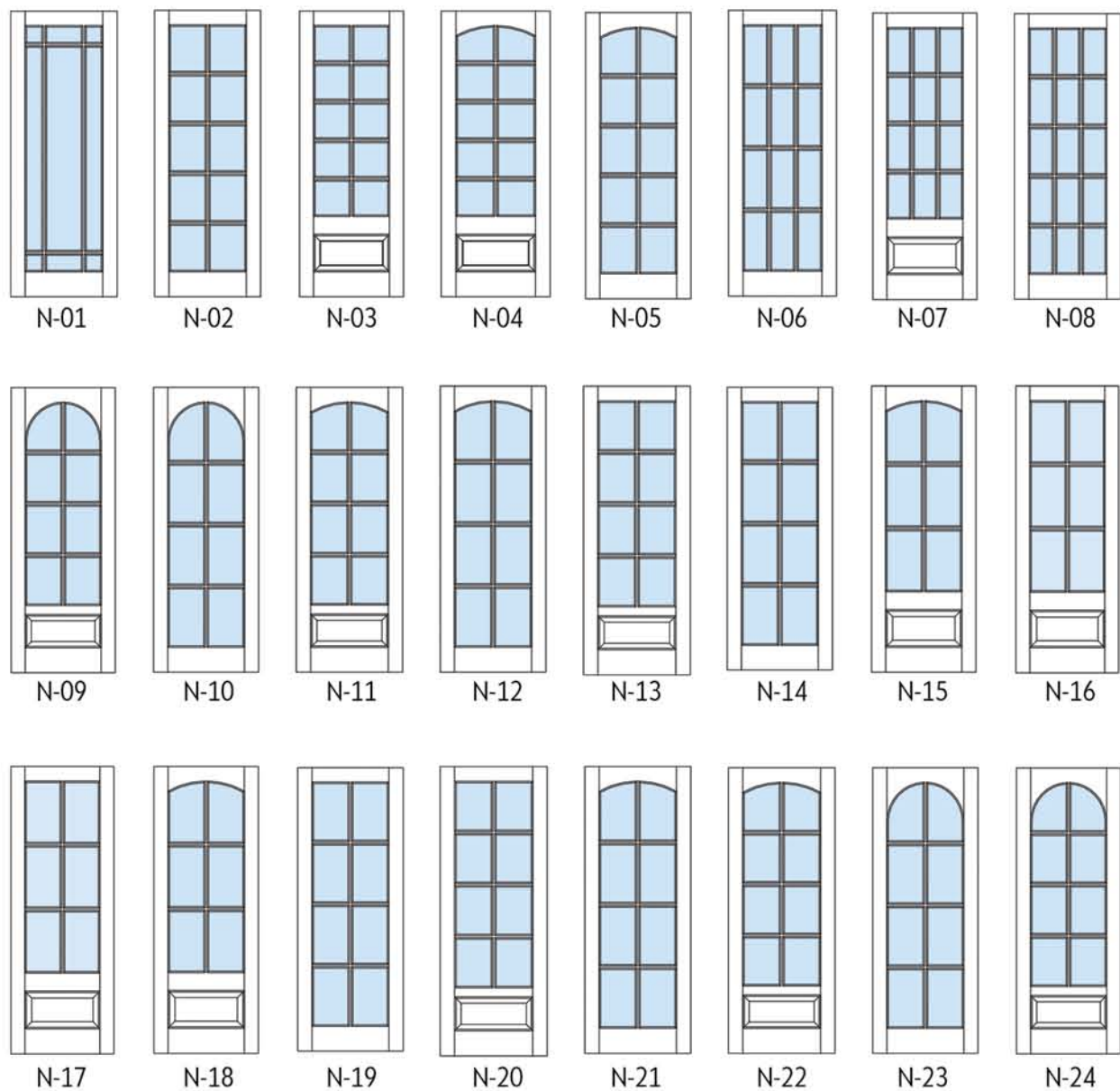








WINDOW DESIGN



COLORS FOR **MDF** DOORS

ral 1000	ral 1001	ral 1002	ral 1003	ral 1004	ral 1005	ral 1006	ral 1007
ral 1011	ral 1012	ral 1013	ral 1014	ral 1015	ral 1016	ral 1017	ral 1018
ral 1019	ral 1020	ral 1021	ral 1023	ral 1024	ral 1027	ral 1028	ral 1032
ral 1033	ral 1034	ral 2000	ral 2001	ral 2002	ral 2003	ral 2004	ral 2008
ral 2009	ral 2010	ral 2011	ral 2012	ral 3000	ral 3001	ral 3002	ral 3003
ral 3004	ral 3005	ral 3007	ral 3009	ral 3011	ral 3012	ral 3013	ral 3014
ral 3015	ral 3016	ral 3017	ral 3018	ral 3020	ral 3022	ral 3027	ral 3031
ral 4001	ral 4002	ral 4003	ral 4004	ral 4005	ral 4006	ral 4007	ral 4008
ral 4009	ral 5000	ral 5001	ral 5002	ral 5003	ral 5004	ral 5005	ral 5007
ral 5008	ral 5009	ral 5010	ral 5011	ral 5012	ral 5013	ral 5014	ral 5015
ral 5017	ral 5018	ral 5019	ral 5020	ral 5021	ral 5022	ral 5023	ral 5024
ral 6000	ral 6001	ral 6002	ral 6003	ral 6004	ral 6005	ral 6006	ral 6007
ral 6008	ral 6009	ral 6010	ral 6011	ral 6012	ral 6013	ral 6014	ral 6015
ral 6016	ral 6017	ral 6018	ral 6019	ral 6020	ral 6021	ral 6022	ral 6024
ral 6025	ral 6026	ral 6027	ral 6028	ral 6029	ral 6032	ral 6033	ral 6034
ral 7000	ral 7001	ral 7001	ral 7002	ral 7003	ral 7004	ral 7005	ral 7006
ral 7008	ral 7009	ral 7010	ral 7011	ral 7012	ral 7013	ral 7015	ral 7016
ral 7021	ral 7022	ral 7023	ral 7024	ral 7026	ral 7030	ral 7031	ral 7032
ral 7033	ral 7034	ral 7035	ral 7036	ral 7037	ral 7038	ral 7039	ral 7040
ral 7042	ral 7043	ral 7044	ral 8000	ral 8001	ral 8002	ral 8003	ral 8004
ral 8007	ral 8008	ral 8011	ral 8012	ral 8014	ral 8015	ral 8016	ral 8017
ral 8019	ral 8022	ral 8023	ral 8024	ral 8025	ral 8028	ral 9001	ral 9002
ral 9003	ral 9004	ral 9005	ral 9010	ral 9011	ral 9016	ral 9017	ral 9018



tel. ++389 (0)34 325 915

fax: ++389 (0)34 612 645

email: [info@niprom.com](mailto:info@niprom.com)

[www.niprom.com](http://www.niprom.com)

Strumica  
R.Macedonia